

PL-SPL 26
DMX Splitter & Booster



PL-SPL26

1 IN 6 OUT 3PIN DMX SPLITTER/BOOSTER



USER MANUAL

For more information, please visit <https://pioneer-lighting.com/>

PL-SPL 26

DMX Splitter & Booster



INTRODUCTION

PI-SPL26 is a 3 PIN XLR 6 output DMX splitter booster with optically isolated outputs and input. Each individual output is boosted by a 250V 50Hz/60Hz to 9V DC 220mA transformer for optimum boosting of the DMX signal with a capacity to withstand voltage fluctuations.

APPLICATIONS

CONCERT LIGHTING – LIVE EVENTS – MULTIMEDIA SHOWS – THEATER – THEME PARKS
 ARCHITECTURAL LIGHTING – FIXED INSTALLATIONS – PLACES OF WORSHIP – TESTING LABS

HOUSING

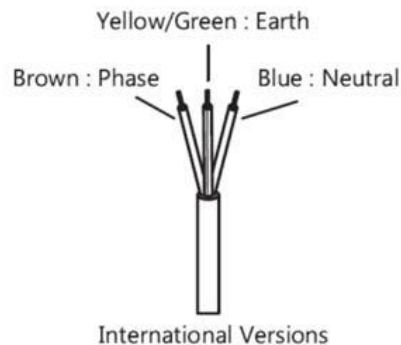
The unit is IP20 rated and not to be used/installed directly exposed to outdoor conditions. To be housed indoors
 or to be fixed inside a suitable IP rated enclosure for outdoor use.

UNPACKING

The DMX Splitter/Booster is packed in a cardboard box with the device and 2-page USER MANUAL

SAFETY INFORMATION

- Remove the power supply from mains before opening the unit for servicing or cleaning
- Ensure that the unit is connected to the proper earth through the yellow/green wire
- Connect to 220V/230V power supply to the wire on the back side of the unit



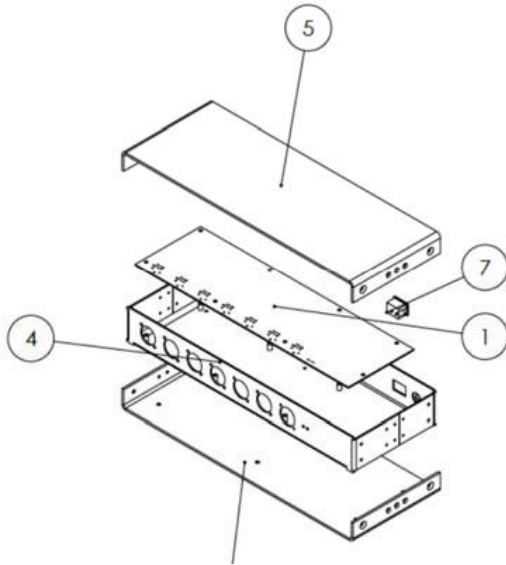
	Wire (US System)	Wire (EU System)	Symbol
Live	black	brown	L
Neutral	white	blue	N
Ground (Earth)	green	yellow/green	⏏ or ⏚

- Make sure to use the unit in a dry and moisture free environment
- Provide proper ventilation around the unit
- Do not use the unit where the ambient temperature is above 55 C
- Ensure the DMX input and DMX output cables are connected when the unit is switched OFF
- Do not short the DMX wires while the unit is powered ON Which will result in the damage of the INPUT/OUTPUT port

For more information, please visit <https://pioneer-lighting.com/>

PL-SPL 26 DMX Splitter & Booster

UNIT CONSTRUCTION



ITEM NO.	DESCRIPTION	QTY.
1	PCB	1
4	Inner Sheet Bent	1
5	Outer Top Sheet Bent	1
6	Outer Bottom Sheet Bent	1
7	Rocker Switch	1

XLR CONNECTIONS

Female



Male



3-Pin DMX

Conductor	3-Pin Connector
Ground/Shield	Pin 1
Data 1- (Primary Data Link)	Pin 2
Data 1+ (Primary Data Link)	Pin 3

PL-SPL 26

DMX Splitter & Booster



Technical Data

MAINS VOLTAGE	220-240V
MAINS FREQUENCY	50/60 Hz
CURRENT CONSUMPTION	0.2 A
OPERATING TEMPERATURE	-17° C TO 55° C
PROTOCOL STANDARD	ANSI E1.11 (DMX 512)
SAFETY STANDARDS	EN60950-1 UL508
EMC EMISSION	EN55103-1
EMC IMMUNITY	EN55103-2

No part of this manual may be reproduced or transmitted in any form without the prior permission of Pioneer Lighting Solutions Ind PVT LTD. The information in this manual is supplied without a warranty of any kind either directly or indirectly and is subject to change without prior notice. Pioneer Lighting Solutions Ind PVT LTD , its employees or appointed representatives will not be held responsible for any damages to software, Hardware or data arising as a direct or indirect result of operating and handling the product mentioned in this manual.